

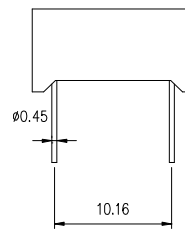
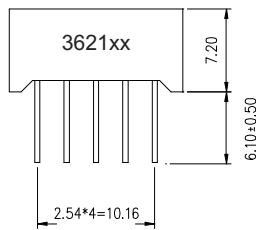
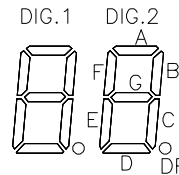
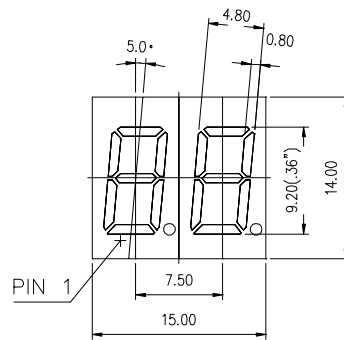
## DESCRIPTION

- 9.20mm (0.36") Two Digit Numeric Display Series
- Standard Brightness
- Low Current Operation
- Excellent Character Appearance
- Easy Mounting on PC Boards or Sockets



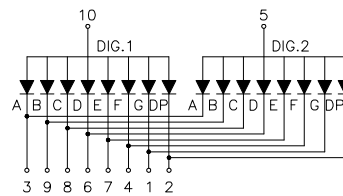
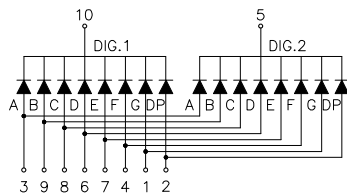
## Package Dimensions & Internal Circuit Diagram

### 3621 Series



3621Ax

3621Bx



**Notes:**

All dimensions are in millimeters (inches)  
 Tolerance is  $\pm 0.25$  (0.01") unless otherwise noted.  
 Specifications are subject to change without prior notice.

**Absolute Maximum Ratings ( Ta = 25°C )**

| Parameter             | Symbol     | Test Condition        | Value |       | Unit |
|-----------------------|------------|-----------------------|-------|-------|------|
|                       |            |                       | Min   | Max   |      |
| Reverse Voltage       | $V_R$      | IR= 30 $\mu$ A        | 5     | ----- | V    |
| Forward Current       | $I_f$      | -----                 | ----- | 20    | mA   |
| Power Dissipation     | $P_d$      | -----                 | ----- | 100   | mW   |
| Pulse Current         | $I_{peak}$ | Duty = 0.1ms,<br>1KHz | ----- | 150   | mA   |
| Operating Temperature | $T_{opr}$  | -----                 | - 40  | +85   | °C   |
| Storage Temperature   | $T_{str}$  | -----                 | - 40  | +85   | °C   |

XX :Surface / Epoxy Color :

|                                |                        |                      |                        |                         |                       |                     |
|--------------------------------|------------------------|----------------------|------------------------|-------------------------|-----------------------|---------------------|
| <b>Surface Color</b><br>Number | White<br>0             | Black<br>1           | Gray<br>2              | Red<br>3                | 4                     | 5                   |
| <b>Epoxy Color</b><br>Number   | White<br>Diffused<br>0 | Red<br>Diffused<br>1 | Green<br>Diffused<br>2 | Yellow<br>Diffused<br>3 | Blue<br>Diffused<br>4 | Water<br>Clear<br>5 |